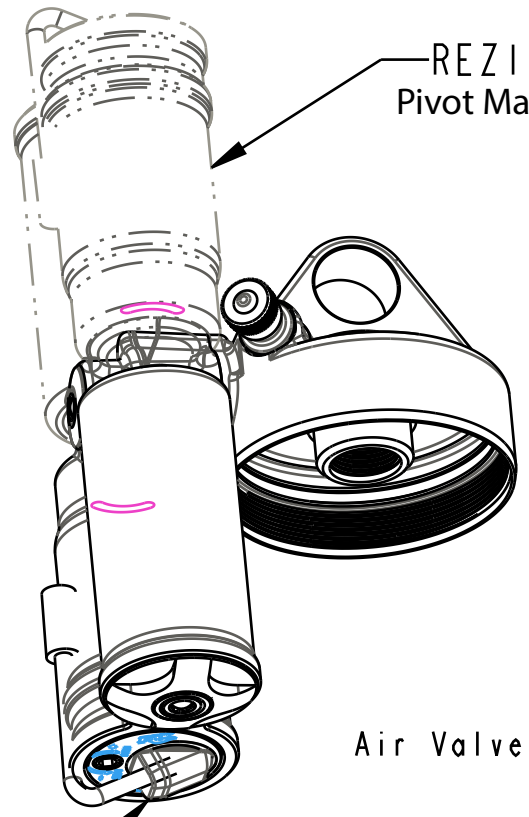


4

3

2

1



REZI UP
Pivot Mach 5.5

REZI DOWN
Giant Anthem Advanced Pro 29
Scott Genius

TANK VALVES:
802-00-007-KIT: Air Valve Assy: Slim[M6 X .75, 1.150 TLG] (Trunnion)
803-01-178: Air Valve Part: Housing, Tank Valve, DHX2, FloatX2, 2017 DPS (Non-Trunnion)

TANK VALVE O-RINGS:
029-08-082: Seals: O-Ring [5.28mm ID X 1.0mm CS] Metric, N-70, Static (Trunnion)
029-00-009: Seals: O-Ring [(-009) .070 C.S. X .208 ID] Standard N674-70, Dynamic (Non-Trunnion)

Spring: [0.190 TLG X 0.120 OD X 25.6 lbs/in] 17-7 SS, left hand wound

010-01-000
Ball [Ø 0.1250] Steel

Damping Adjust Part: Knob, RD Adjust [12 Detent, .175 TLG]

Air Valve Parts: Cap, Air Valve [L.305-321], Black, 6061

060-00-038
Pin: Dowel [Ø .125 X .1875 TLG] 18-8

029-00-015
O-Ring (-015) [.070 C.S. X .551 ID]

029-03-012
O-Ring (-012) [.070 C.S. X .364 ID]

010-01-003
Ball [Ø 0.1875] Delrin

TORQUE:
50±5 IN.LB.

TORQUE:
35±5 IN.LB.

019-01-006-A
Fastener, Standard (Metric): Screw [M3 x 4mm]
SS Socket Set Cone Point (Patchlock)
(NOT USED ON TRUNNION)

TORQUE:
ENSURE REBOUND KNOB TURNS
AND DETENTS FUNCTION

GREASE:
THIN LAYER
OF BLUE MARINE

EYELET

029-08-030
Seals: O-Ring [10.0MM ID x 1.5MM CS] Metric, N-70, Static

GREASE:
THIN LAYER
OF SLICK HONEY

029-00-032
Seals: O-Ring [(-032) .070 C.S. X 1.864 ID] Standard N674-70, Dynamic

810-11-205-KIT
Reservoir Assy, 2019 Live Valve

241-02-107
Fastener, Custom: Bolt: (Metric) [M8 X 1.25 X 14] Flat Head Socket Cap Screw

FOX Factory, Inc.
130 Hangar Way, Watsonville, CA 95076 USA
Ph 831-768-1100
Fax 831-768-9312

TITLE
2019 LIVE Valve Eyelet Assemblies

SIZE DWG. NO.
C
PLOT SCALE 1.5:1 SHEET 1 OF 1

USE SHOCK OIL TO INSTALL ALL O-RINGS

PROPRIETARY
THIS DOCUMENT CONTAINS CONFIDENTIAL, PROPRIETARY INFORMATION
THAT IS FOX PROPERTY. DO NOT DISCLOSE TO OR DUPLICATE
FOR OTHERS EXCEPT AS AUTHORIZED BY FOX.

4

3

2

ProE ASSEM